

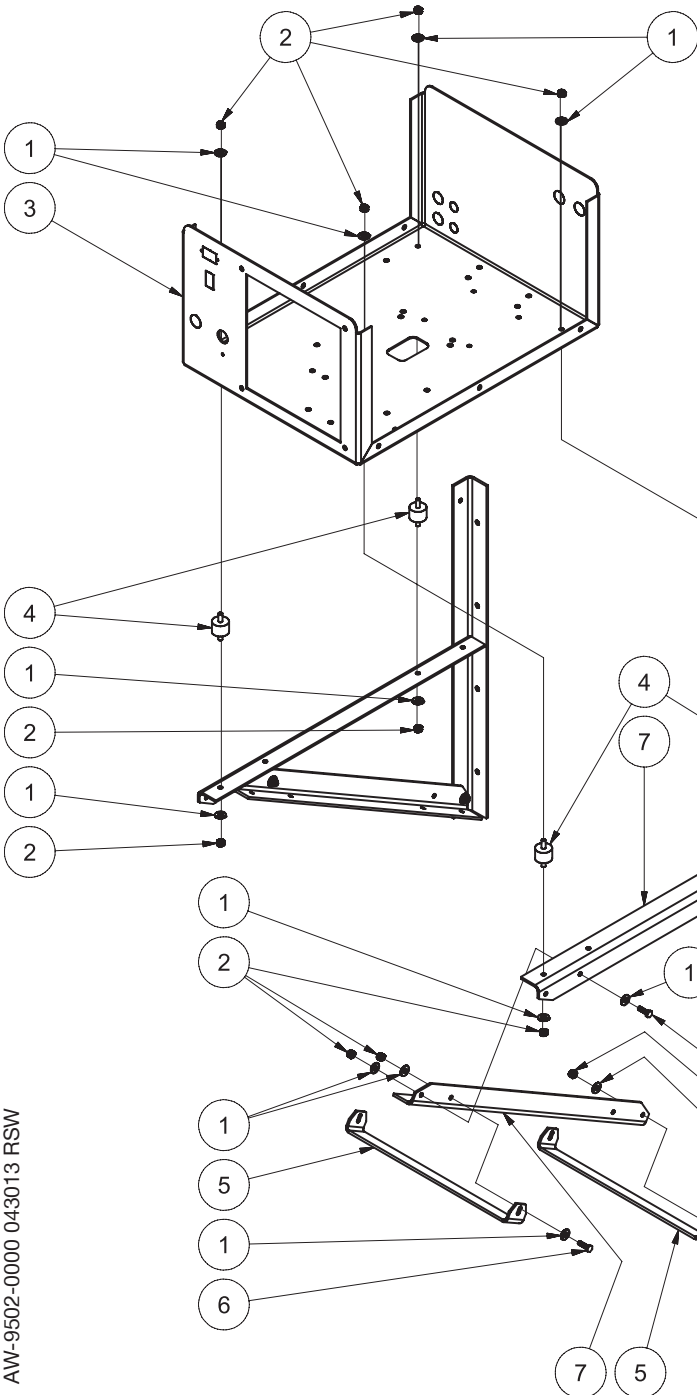


# CW STEEL WALL MOUNT BRACKET (AW-9502-0000)

Assemble as shown.

The wall mount bracket is to be attached to a wall or structure capable of handling a 900-pound minimum weight load, such as a 4 x 4 studded wood structure or minimum 1/4 inch steel studded structure and or framing.

A licensed building contractor should perform mounting of the bracket to a wall to assure proper strength of support.



PARTS LISTING			
ITEM	DESCRIPTION	PART #	QTY
1	WASHER	28-0022	24
2	LOCKNUT	30-0157	16
3	FRAME - CW STATIONARY - SS	21-0193	1
4	ISOLATOR	33-0028	4
5	SUPPORT SPACER BRACKET	20-0777	2
6	BOLT	27-0067	6
7	SUPPORT ANGLE	20-0776	4
8	BOLT	27-0068	2
9	WALL ANGLE BRACKET	20-0775	2

## ⚠ WARNING

⚠ WARNING: This product can expose you to chemicals including Lead, which is known to the State of California to cause cancer and birth defects or other reproductive harm. For more information go to [www.P65Warnings.ca.gov](http://www.P65Warnings.ca.gov)

